

Sphygmomanometers and Stethoscopes

SHOCKPROOF, LATEX FREE SPHYGMOMANOMETERS

The innovative HEINE GAMMA G® series of latex free aneroid sphygmomanometers offers top quality and functionality with unmatched value for the money. Highest precision and durability combined with a functional, modern design guarantee you long-term reliability in clinic and practice.

Clinical Approval



HEINE GAMMA G® Sphygmomanometers are now clinically validated under the European Union protocol on hypertension. The validation confirms the long-term accuracy of measurement of systolic and diastolic blood pressure.

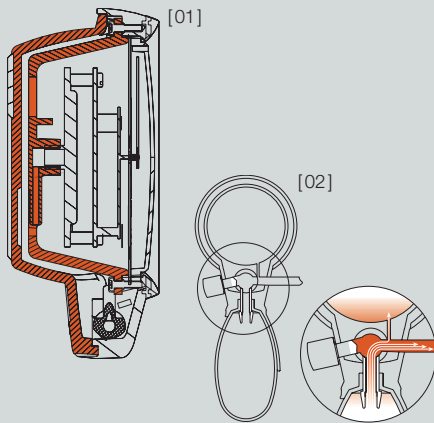
Stethoscopes for precise auscultation.

HEINE GAMMA Series 3 stethoscopes are perfectly adapted to everyday use. Major improvements in acoustic performance increase the precision with which heart, lung and vascular sounds can be heard.





SHOCKPROOF |

**SHOCKPROOF**

[01] Shockproof double-walled construction with unique manometer protection. The robust double walled construction with a unique triple manometer mount gives ideal protection against shocks, comfortably exceeding both the European EN1060 and the American SP9 tests.

AIR PRESSURE DISTRIBUTION SYSTEM

[02] Single-tube construction with an innovative air pressure distribution system. The valve construction provides ideal air pressure conditions to absorb pressure peaks in air flow to the manometer during inflation. This advantage was only possible until now with twin-tube systems.

HEINE GAMMA G7®

The model with aluminium alloy construction and precision valve

∴ Shockproof

∴ Latex-Free

∴ Aluminium upper housing

∴ 10 year warranty

- ∴ Shockproof.
- ∴ Latex Free.
- ∴ Exclusive Pressure Distribution System.
- ∴ Pressure Proof Manometer. Ensures durability and reliability.
- ∴ Micro Filter. Protects valve and manometer.
- ∴ Large Diameter Scale. 56mm diameter black on white scale is easy to read.
- ∴ High Quality Indicator. Precisely calibrated, durable and shock resistant.
- ∴ Large Insufflation Bulb. 50% larger bulb Volume for fast inflation of the cuff.
- ∴ Exclusive Air Release Valve. Provides fine and precise air release rate adjustment, quick deflation, and extreme durability. A rubber-stop prevents valve-lock.
- ∴ Upper Housing made of aluminium alloy. Advanced thermo plastics (Polyamid / TP Elastomer) with a shock absorbing ring protects indicator and glass.
- ∴ Lower Housing is molded of a 2 component thermo plastic (Polyamid / TP Elastomer). Shock absorbing, anti-slip coating.
- ∴ Light alloy, adjustable Spoon. For both-right or left-handed operation.
- ∴ High quality, single tube cuff with Velcro Fastener. Washable.
- ∴ Ergonomic Design: G7 is perfectly balanced for comfort and ease of use.
- ∴ 10 year warranty.*

*against defects in manufacture and workmanship for a period of 10 years from the date of purchase.

GAMMA G7

complete with adult cuff, in zipper pouch	M-000.09.232
complete with child cuff, in zipper pouch	M-000.09.233
Practice Kit with child, adult and small adult cuff in zipper pouch	M-000.09.554

HEINE GAMMA G5®

The HEINE standard sphygmomanometer

Combines all the design and quality features of the GAMMA G7, except:

- ∴ **Housing is molded of a 2 component thermo plastic (Polyamid/TP Elastomer).** Shock absorbing, anti-slip coating.
- ∴ **Adjustable Spoon (Polyamid Thermo Plastic).** For both right or left-handed operation.
- ∴ **5 year warranty.***

*against defects in manufacture and workmanship for a period of 5 years from the date of purchase.



∴ Shockproof

∴ Latex-Free

∴ Shock-absorbing Polyamid housing

GAMMA G5	
complete with adult cuff, in zipper pouch	M-000.09.230
complete with child cuff, in zipper pouch	M-000.09.231
Practice Kit with child, adult and small adult cuff in zipper pouch	M-000.09.555
complete with adult cuff without zipper pouch, box of 10	M-000.09.561

HEINE GAMMA GP®

HEINE standard sphygmomanometer with push button valve

Combines all the design and quality features of the GAMMA G5, but with a push button valve:

- ∴ **Innovative push button valve.** Fine and precise air release rate adjustment, ultra fast air release, practically wear-free. Easy to operate by both left and right-handed users.
- ∴ **5 year warranty.***

*against defects in manufacture and workmanship for a period of 5 years from the date of purchase.



∴ Shockproof

∴ Latex-Free

∴ Shock-absorbing Polyamid housing

GAMMA GP	
complete with adult cuff, in zipper pouch	M-000.09.242
complete with child cuff, in zipper pouch	M-000.09.243
Practice Kit with child, adult and small adult cuff in zipper pouch	M-000.09.556

HEINE GAMMA GST®

Classic instrument for self measurement

Combines all the design and quality features of the GAMMA G5, with the addition of an integrated stethoscope in the cuff designed for easy self measurement.

- ∴ **Housing is molded of a 2 component thermo plastic (Polyamide/TP Elastomer).** Shock absorbing, anti-slip coating.
- ∴ **Adjustable Spoon (Polyamid Thermo Plastic).** For both right or left-handed operation.
- ∴ **High quality, single tube cuff.** With integrated Stethoscope (43 mm membrane) and soft ear olives.
- ∴ **5 year warranty.***

*against defects in manufacture and workmanship for a period of 5 years from the date of purchase.



GAMMA GST	
complete with adult cuff, in zipper pouch	M-000.09.271

*Special Order - 4 to 6 weeks delivery time.

HEINE GAMMA XXL LF®

The top quality professional model

Since the GAMMA XXL LF is non-mercurial, it is both safe and environmentally friendly.



[01]

∴ Oversized scale

∴ Latex-Free

∴ 10 year warranty

- ∴ **Latex free.**
- ∴ **Durable polycarbonate construction.** Will hold up in the busiest hospital and practice environments.
- ∴ **Oversized 130 mm Diameter Scale.** Can be pivoted for clear, easy reading from any angle.
- ∴ **Long Spiral Inflation Tube (3m).** For increased working distance.
- ∴ **High Quality Indicator.** Precisely calibrated and durable.
- ∴ **Precision Air release valve.** Fine and precise air release.
- ∴ **Pressure Proof Manometer.** Ensures durability and reliability.
- ∴ **Wall, Desk, Rail and Wheeled Stand.** Adjustable height.
- ∴ **10 year warranty.***

*against defects in manufacture and workmanship for a period of 10 years from the date of purchase.

GAMMA XXL LF

LF-W Wall [01]	M-000.09.323
LF-S Wheeled Stand [02]	M-000.09.326
XXL LF-R Rail [03]	M-000.09.325
XXL LF-T Desk (non-spiral insufflation tube) [04]	M-000.09.322

Accessories

Cuff-holder for GAMMA XXL LF-T	M-000.09.141
Desk stand for GAMMA XXL LF-T	M-000.09.142
Adjustable wheeled stand for GAMMA XXL LF-S	M-000.09.145
Universal mounting plate for GAMMA XXL LF-W, -S, -R	M-000.09.306
Rail clamp for GAMMA XXL LF-R	M-000.09.307



[03]



[04]



[02]

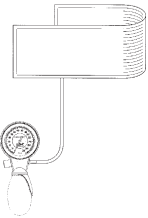
Blood-pressure cuffs and accessories

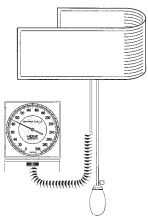
Latex free blood pressure cuffs

Cuffs for GAMMA G7/G5/GP/GST/XXL LF sphygmomanometers.



- ∴ Latex free.
- ∴ Fit the most widely used sphygmomanometers.
- ∴ High quality velcro cuffs made of wear resistant material. Physiologically tested.
- ∴ Double sewn.
- ∴ Washable.
- ∴ Index mark for exact positioning.
- ∴ Clear indication of size and control mark for arm circumference.
- ∴ Extra thick, highly flexible tube. For a long life.
- ∴ Proven reliability. Absolutely airtight system.

	GAMMA G7/G5/GP	Single tube cuffs (cpl.)			Single tube bladders		Outer cuffs	
		Size	Circumference/cm		Size		Size	
	Small child	6x28	8–13		5x15	M-000.09.661	6x28	M-000.09.059
	Child	10x34	13–20		8x20	M-000.09.663	10x34	M-000.09.060
	Small adult	14x53	20–29		11x23	M-000.09.664	14x53	M-000.09.061
	Adult	14x58	29–41		12x28	M-000.09.665	14x58	M-000.09.055
	Large adult	20x86	>41		18x52	M-000.09.667	20x86	M-000.09.057

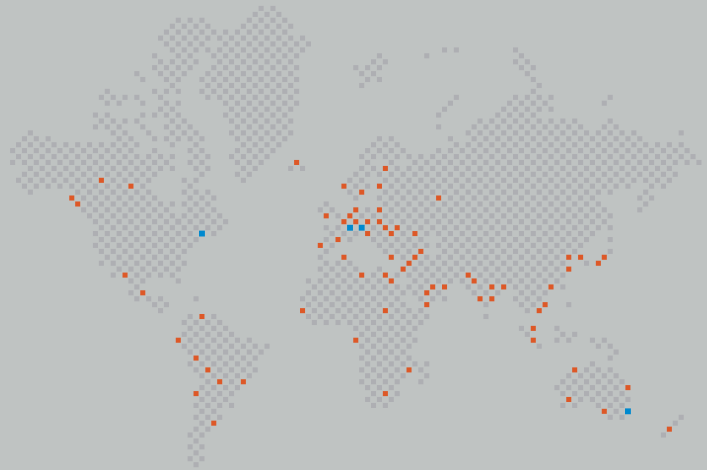
	GAMMA XXL LF	Twin tube cuffs* (cpl.)			Twin tube bladders		Outer cuffs	
		Size	Circumference/cm		Size		Size	
	Small child	6x28	8–13		5x15	M-000.09.671	6x28	M-000.09.059
	Child	10x34	13–20		8x20	M-000.09.673	10x34	M-000.09.060
	Small adult	14x53	20–29		11x23	M-000.09.674	14x53	M-000.09.061
	Adult	14x58	29–41		12x28	M-000.09.675	14x58	M-000.09.055
	Large adult	20x86	>41		18x52	M-000.09.677	20x86	M-000.09.057

GAMMA GST	Single tube cuff (cpl.) with stethoscope			Single tube bladder		Outer cuff	
	Size	Circumference/cm		Size		Size	
Adult	14x53	22–32		11x23	M-000.09.669	14x53	M-000.09.079

A company makes history and gives a name to outstanding product quality: HEINE.

Founded in 1946, family owned, rich in tradition and today international market leader in a complete range of diagnostic instruments. HEINE products meet all international standards (ISO/CE) and represent the leading edge in precision and ergonomic design. Ongoing dedication to research and development has created a solid and diverse technology base for continued quality and product leadership. Over 500 employees worldwide contribute to this success.

www.heine.com



■ HEINE SUBSIDIARY COMPANIES
■ HEINE REPRESENTATIVES

NORTH AMERICA

HEINE USA LTD.
HEINE INSTRUMENTS CANADA LTD
10 Innovation Way
Dover, NH 03820
Tel. (603) 742-7103
Fax (603) 742-7217
Toll Free (800) 367-4872
E-Mail: service@heine-na.com

GERMANY

HEINE Optotechnik GmbH & Co. KG
82211 Herrsching
Kientalstr. 7
Tel. +49 (0) 81 52-38 0
Fax +49 (0) 81 52-3 82 02
E-Mail: info@heine.com

AUSTRALIA

HEINE AUSTRALIA PTY. LTD.
Unit 9, 98 Old Pittwater Road
P.O. Box 717 Brookvale 2100
New South Wales
Tel. +61 (0) 2-99 38 95 00
Fax +61 (0) 2-99 39 23 05
E-Mail: info@heine.com.au

SWITZERLAND

HEINE (Schweiz) AG
Tobeläckerstr. 9
CH-8212 Neuhausen am Rheinfall
Tel. +41 (0) 52-6 72 22 66
Fax +41 (0) 52-6 72 63 77
E-Mail: heine-schweiz@schaffhausen.ch

Your distributor

11/11. A-000.00.100 e

