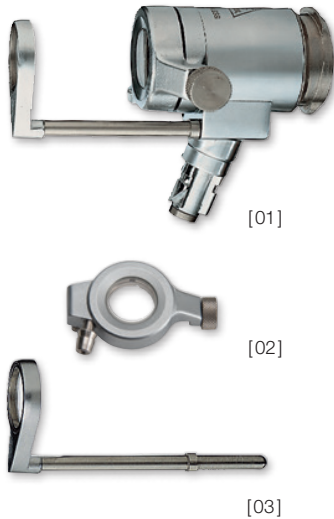


**We bring
LIGHT
into
the dark.**



Instrument Head for HEINE UniSpec® Tubes



Illumination by Fiber Optic cable and projector or 3.5V BETA Handle with illumination adaptor see accessories on page 97.

- ∴ **Annular Fiber Optic illumination.** Bright, reflex-free illumination.
- ∴ **Magnifying lens 1.5x.** High-resolution image.
- ∴ **Hinged viewing window with insufflation port.** Improved vision by insufflation.
- ∴ **Stainless Steel.**

Instrument head for UniSpec Disposable Tubes

complete with viewing window and swivel lens 1,5x [01]	E-003.18.100
without viewing window and swivel lens	E-003.18.098
Viewing window only [02]	E-003.18.099
Swivel lens 1.5x, only (for sigmoidoscopes) [03]	E-003.18.096
same, but 1.8x (only suitable for proctoscopes and anoscopes)	E-003.19.099

HEINE UniSpec® Disposable Tubes



85x20mm 130x20mm 250x20mm

- ∴ **Disposable.** No cross-infection.
- ∴ **No cleaning required.** Saves time.
- ∴ **Moulded in patient-friendly thermoplastic.**
No cold sensation on insertion.
- ∴ **Light transmission through the tube wall.** Distal annular light exit.
Bright, homogeneous illumination of the area examined, reflex reduction.
- ∴ **Graduated inside the tube for patient comfort.** Indication of insertion length.

UniSpec Disposable Anoscopes (85 x 20 mm)

Pack of 25 disposable anoscopes	E-003.19.925
Box of 100 (4 packs of 25) anoscopes	E-003.19.911

UniSpec Disposable Proctoscopes (130 x 20 mm)

Pack of 25 disposable proctoscopes	E-003.19.825
Box of 100 (4 packs of 25) proctoscopes	E-003.19.811

UniSpec Disposable Sigmoidoscopes (250 x 20 mm)

Pack of 25 disposable sigmoidoscopes	E-003.18.825
Box of 100 (4 packs of 25) sigmoidoscopes	E-003.18.811

⊗: Single use only.

Double Bulb Insufflator/Hygiene Filter

For use with anoscope, proctoscope and rectoscope



- ∴ **Latex-free double bulb insufflator** for air insufflation.
- ∴ For possible use with anoscope, proctoscope and rectoscope.
- ∴ **Disposable hygiene filter** minimises contamination of the double bulb insufflator.

Double Bulb Insufflator	E-000.18.105
-------------------------	---------------------

Disposable Hygiene Filters 25 pcs/pack	E-000.18.116
--	---------------------

HEINE Illumination Adaptor



Can be attached to any HEINE 3.5V power source to illuminate any HEINE fiber optic instrument, e.g. anoscope, proctoscope or sigmoidoscope.

Illumination adaptor	3.5V XHL
Illumination adaptor	X-002.98.002
XHL Xenon Halogen spare bulb	X-002.88.078

Sigmoidoscope/Proctoscope Kit BETA4 USB



Set complete with: **Instrument head** for UniSpec Disposable Tubes with viewing window and swivel lens 1.5x.
 Pack of 25 UniSpec Sigmoidoscope Tubes 250mm
 Pack of 25 UniSpec Proctoscope Tubes 130mm
 Pack of 25 UniSpec Anoscope Tubes 85mm
 Double bulb insufflator
 Illumination adaptor
 Connecting cord 2m
 BETA4 USB Rechargeable Handle with
 E4-USB Medical approved plug-in power supply

Sigmoidoscope/Proctoscope Kit BETA4 USB	3.5V XHL
Complete Sigmoidoscope/Proctoscope Kit BETA4 USB	E-097.27.388
Spare bulb	X-002.88.078
Disposable Hygiene Filters 25 pcs/pack	E-000.18.116

