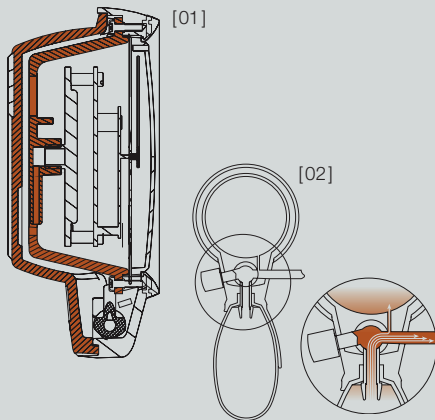


**It's sure
to increase
your
HEARTBEAT.
Out of pure
JOY.**





SHOCKPROOF!

**SHOCKPROOF**

[01] Shockproof double-walled construction with unique manometer protection.

The robust double-walled construction with a unique triple manometer mount gives ideal protection against shocks. Meets the requirements of european standard EN ISO 81060-1 and ANSI/AAMI/ISO 81060-1.

AIR PRESSURE DISTRIBUTION SYSTEM

[02] Single-tube construction with an innovative air pressure distribution

system. The valve construction provides ideal air pressure conditions to absorb pressure peaks in the air flow to the manometer during inflation. This advantage was only possible until now with twin-tube systems.



CLINICAL APPROVAL

HEINE GAMMA® G7

The model with aluminium alloy construction and precision valve



- ∴ Shockproof.
- ∴ Latex-free.
- ∴ Unique pressure measuring system.
- ∴ Pressure-proof manometer. Ensures durability and reliability.
- ∴ Micro filter. Protects valve and manometer.
- ∴ Large diameter scale. 56mm diameter black-on-white scale is easy to read.
- ∴ High quality indicator. Precisely calibrated, durable and shock resistant.
- ∴ Large insufflation bulb. 50 % larger bulb volume for fast inflation of the cuff.
- ∴ Exclusive air-release valve. Provides fine and precise air release rate adjustment, quick deflation, and extreme durability. A rubber-stop prevents valve-lock.
- ∴ Upper housing made of aluminium alloy with a shock absorbing ring protecting indicator and glass.
- ∴ Lower housing is moulded of shockproof plastic with shock absorbing, anti-slip coating.
- ∴ Light alloy, adjustable spoon. For both right- or left-handed operation.
- ∴ High quality, single-tube cuff with velcro fastener. Washable.
- ∴ Ergonomic design: G7 is perfectly balanced for comfort and ease of use.
- ∴ 10 year guarantee.*

*against defects in design, materials and workmanship for a period of 10 years from the date of purchase.

GAMMA G7

complete with adult cuff, in zipper pouch	M-000.09.232
complete with child cuff, in zipper pouch	M-000.09.233
Practice kit with child, adult and small adult cuff in zipper pouch	M-000.09.554
complete with adult cuff without zipper pouch, box of 10	M-000.09.560

HEINE GAMMA® G5

The HEINE standard sphygmomanometer



Combines all design and quality features of the GAMMA G7, except:

- ∴ **Housing is moulded of shockproof plastic** with shock absorbing, anti-slip coating.
- ∴ **Adjustable spoon (plastic).** For both right or left-handed operation.
- ∴ **5 year guarantee.***

*against defects in design, materials and workmanship for a period of 5 years from the date of purchase.

GAMMA G5	
complete with adult cuff, in zipper pouch	M-000.09.230
complete with child cuff, in zipper pouch	M-000.09.231
Practice kit with child, adult and small adult cuff in zipper pouch	M-000.09.555
complete with adult cuff without zipper pouch, box of 10	M-000.09.561

HEINE GAMMA® GP

The HEINE standard sphygmomanometer with push-button valve



Combines all design and quality features of the GAMMA G5, but with a push-button valve:

- ∴ **Innovative push-button valve.** Fine and precise air-release rate adjustment, ultra-fast air-release, practically wear-free. Easy to operate by both left and right-handed users.
- ∴ **5 year guarantee.***

*against defects in design, materials and workmanship for a period of 5 years from the date of purchase.

GAMMA GP	
complete with adult cuff, in zipper pouch	M-000.09.242
complete with child cuff, in zipper pouch	M-000.09.243
Practice kit with child, adult and small adult cuff in zipper pouch	M-000.09.556
complete with adult cuff without zipper pouch, box of 10	M-000.09.562

HEINE GAMMA® XXL LF

The top-quality professional model

Since the GAMMA XXL LF is non-mercurial, it is both safe and environmentally-friendly.



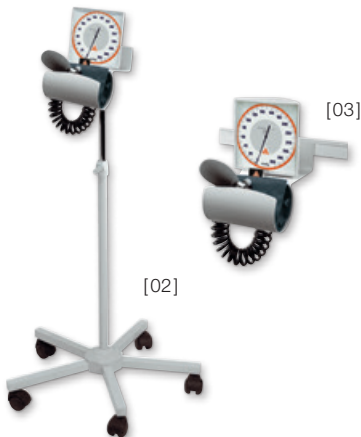
[01]

- ∴ **Latex-free.**
- ∴ **Durable polycarbonate construction.** Will hold up in the busiest hospital and practice environments.
- ∴ **Oversized 130 mm diameter scale.** Can be pivoted for clear, easy reading from any angle.
- ∴ **Long spiral inflation tube (3 m).** For increased working distance.
- ∴ **High quality indicator.** Precisely-calibrated and durable.
- ∴ **Precision air-release valve.** Fine and precise air release.
- ∴ **Maintenance-free,** precise and durable manometer.
- ∴ **Mercury-free.** Environmentally friendly.
- ∴ **Wall, desk, rail and wheeled stand.** Adjustable height.
- ∴ **10 year guarantee.***

*against defects in design, materials and workmanship for a period of 10 years from the date of purchase.

GAMMA XXL LF

LF-W wall complete with adult cuff [01]	M-000.09.323
LF-S wheeled stand complete with adult cuff [02]	M-000.09.326
LF-R rail complete with adult cuff [03]	M-000.09.325
LF-T desk (non-spiral insufflation tube) complete with adult cuff [04]	M-000.09.322
GAMMA XXL LF-WB for wallboard, see page 130 [05]	M-000.09.327



[02]

[03]

Accessories

Cuff-holder for GAMMA XXL LF-T	M-000.09.141
Desk stand for GAMMA XXL LF-T	M-000.09.142
Adjustable wheeled stand for GAMMA XXL LF-S (Height 80 – 125 cm)	M-000.09.145
Universal mounting plate for GAMMA XXL LF-W, -S, -R	M-000.09.306
Rail clamp for GAMMA XXL LF-R	M-000.09.307



[04]



[05]

Blood-pressure cuffs

Latex-free blood-pressure cuffs

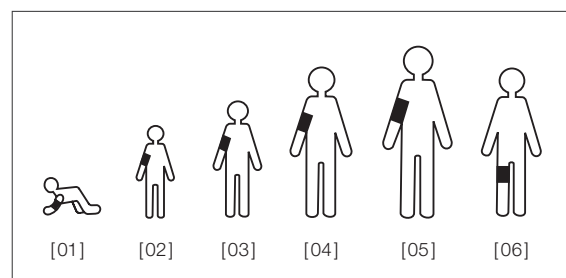


Cuffs for GAMMA G7/G5/GP/XXL LF sphygmomanometers.

- ∴ Latex-free.
- ∴ Fit the most widely used sphygmomanometers.
- ∴ High-quality velcro cuffs made of wear-resistant material. Physiologically tested.
- ∴ Double-sewn.
- ∴ Washable.
- ∴ Index mark for exact positioning.
- ∴ Clear indication of size and control mark for arm circumference.
- ∴ Extra thick, highly flexible tube. For a long life.
- ∴ Proven reliability. Absolutely airtight system.

	GAMMA G7/G5/GP	Single-tube cuffs (cpl.)		
		Size	Circumference/cm	
	Infant [01]	6x28	8–13	M-000.09.700
	Child [02]	10x34	13–20	M-000.09.702
	Adult small [03]	14x53	20–29	M-000.09.704
	Adult [04]	14x58	29–41	M-000.09.619
	Adult large [05]	17x70	35–47	M-000.09.706
	Thigh [06]	20x86	41–59	M-000.09.615

	GAMMA XXL LF	Twin-tube cuffs (cpl.)		
		Size	Circumference/cm	
	Infant [01]	6x28	8–13	M-000.09.701
	Child [02]	10x34	13–20	M-000.09.703
	Adult small [03]	14x53	20–29	M-000.09.705
	Adult [04]	14x58	29–41	M-000.09.629
	Adult large [05]	17x70	35–47	M-000.09.631
	Thigh [06]	20x86	41–59	M-000.09.625



HEINE GAMMA® STETHOSCOPIES

- ∴ **Solid chest piece** and ideal weight avoid stray noise from manipulation and ensure excellent resonance. Hygienic matt chrome finish.
- ∴ **Chest piece with non-chill rims** for the comfort of the patients.
- ∴ Ergonomic, chrome-plated binaurals. Individually adjustable.
- ∴ **High-quality Y-piece tubing** for perfect acoustics and sound reproduction. Length 56 cm.
- ∴ **Latex-free** materials.

HEINE GAMMA® 3.1 pulse stethoscope

For fine acoustic performance.



- ∴ **Stethoscope with solid flat chest piece.** The chest piece can be easily inserted under the sphygmomanometer cuff.
- ∴ **High-quality membrane**, 44 mm diameter
- ∴ **Single-tube construction** with excellent sound transmission.
- ∴ **Includes ear olives** (large/soft) for sound insulation.
- ∴ **Optional available:** Ear olives, (small/hard) (M-000.09.946).

GAMMA 3.1

M-000.09.941

HEINE GAMMA® 3.2 acoustic stethoscope

For excellent acoustic performance.



Technical data as GAMMA 3.1, but with a double chest piece.

- ∴ **Combined double chest piece** with two different frequency ranges to choose from: A high-quality membrane on one side and a conical acoustic head on the other.
- ∴ **High-quality membrane**, 44 mm diameter for excellent acoustic performance and sound transmission.
- ∴ **Cone diameter 30mm.**

GAMMA 3.2

M-000.09.942

HEINE GAMMA® 3.3 acoustic stethoscope

For the examination of children.



Technical data as GAMMA 3.2.

- ∴ **Reduced contact area** of 31 mm makes GAMMA 3.3 ideal for examining children.

GAMMA 3.3

M-000.09.943

HEINE GAMMA® C3 cardio stethoscope

Specially developed for cardiology.



- ∴ **Exceptional acoustic performance**, particularly in the cardiac frequency range.
- ∴ **Combined double chest piece** with two different frequency ranges. Instant selection of a double membrane on one side or a conical acoustic head on the other.
- ∴ **High-performance double membrane**, 45 mm diameter gives ideal sound transmission and perfect skin contact for exceptional sound reproduction.
- ∴ **Two-in-one tube system** for enhanced performance. Very supple, yet kink-resistant with exceptional acoustic reproduction.
- ∴ **Includes ear olives** (large/soft) and one pair of replacements (small/hard) for sound insulation.

GAMMA C3

M-000.09.944